

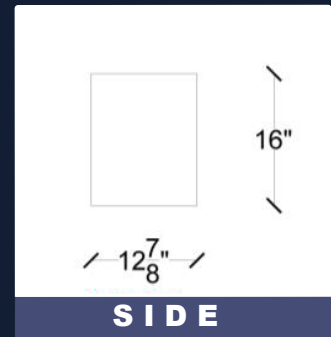
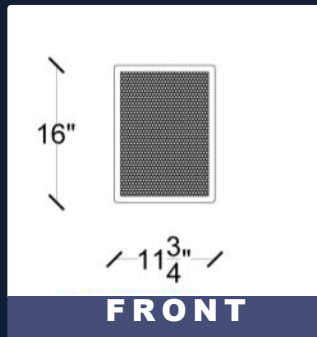
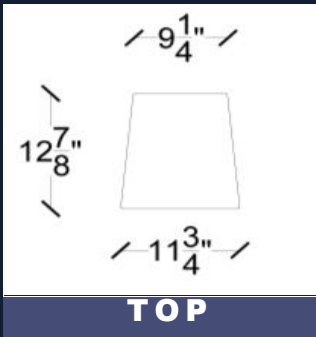
I N F I N I T E



S Y S T E M S

8CX HP V4

A 2-Way Full Range Speaker System, Compact trapezoidal MDF enclosure, Loaded with an 8" High Efficiency Coaxial Neodymium Magnetic Transducer. Grille material shall be a robust 18-gauge 316L Stainless Steel, Neutrik NL-4 Connector. Standard finish color is textured black and is also available in any custom color, 5-year Limited Commercial Warranty.



TECHNICAL DATA

Utility Configuration	2 Way Speaker System 8" Horn Loaded Coaxial
Nominal Impedance	8 ohms
Rated Power RMS	250W
Sensitivity 1W/1M	96 db
Applied Range	75Hz to 20kHz
Coverage	90° Conical
Connectors	NL-4
Net Weight	26 lbs / 11.8 kg
Finish Color	Black or Custom
Grille/Protection	316L Stainless
Warranty	60 Month Limited Commercial Warranty
Dimensions	11 3/4" W X 12 7/8" D X 16"H

WP WEATHER PROTECTED VERSION

- Constructed of Treated Exterior Composite wood panel, which is vermin, termite and mold resistant, without sounding like plastic or fiberglass.
- 316L Stainless Steel Grille for maximum corrosion resistance in the harshest environments.
- 1/4" acoustically transparent foam water stop layer.
- 100 micron 316L Stainless Steel Mesh for insect resistance in outdoor use within landscape environments.
- Weatherized component treatment for long term reliability.
- Watertight junction box for secure connections and vandal resistance on larger properties.
- All Stainless Steel Hardware for reliable, long term outdoor installation.